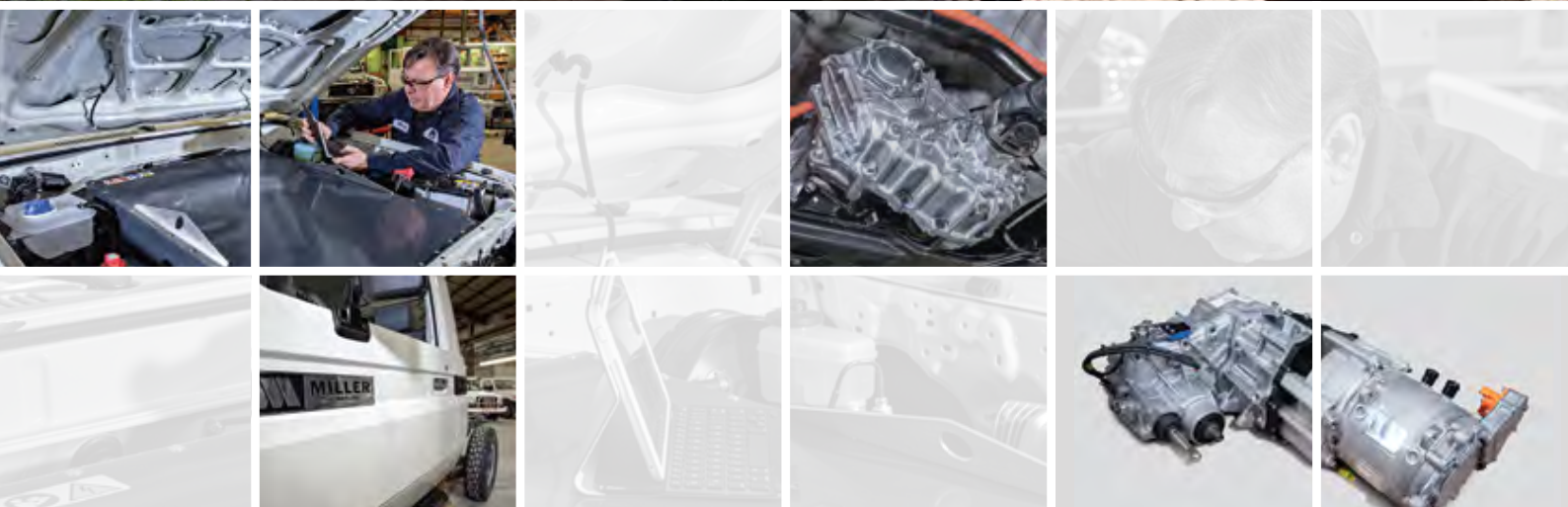


# becker®

MINING AUSTRALIA



## LAND CRUISER

# Toyota Land Cruiser Designed and Built to Suit Your Needs

## MILLER TECHNOLOGY INC.

Established in 1979, ISO 9001 registered, Miller Technology Inc. is a privately owned and operated Canadian business located in North Bay, Ontario that specializes in mobile and utility equipment for the mining and tunneling industry.

Miller Technology develops products that meet your increasing needs for improved safety, productivity, and utilization. Their goal is to lower their partner's total operating costs through exceptional service and sales support.

STANDARD SPECIFICATIONS	
Engine	6-Cylinder, 128 HP @ 3800 RPM Toyota diesel
Transmission	5-Speed manual, 2-speed transfer case, 3-speed option
Front Axle	CV Axle shafts, locked hubs
Rear Axle	Full-floating, limited slip differential
Service Brakes	Dual circuit master brake cylinder, front disc and rear drum brakes
Front Suspension	Coil spring with trailing arm
Rear Suspension	Leaf spring, 11 leaves
Mainframe	1 Ton load rating
Electrical System	12 V Automatic electrical dash, warning lights and OEM operating lights
Gross Vehicle Weight	4800 lbs
Features	Battery disconnect, backup alarm, hourmeter, backup lights, 90 L fuel tank, 7.50 x 16-8 PLY Bridgestone off-road tires, cab painted white and factory undercoat

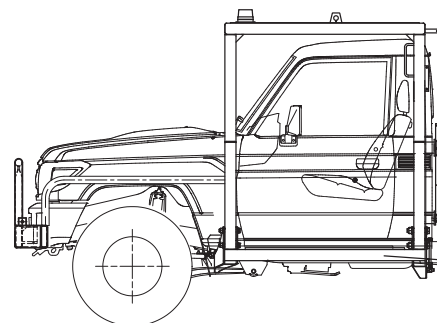
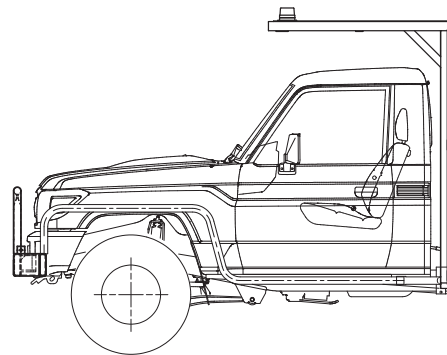
## SIBS Brakes



## Hurth Axle

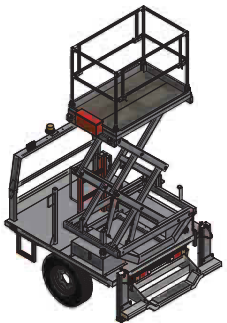


## ROPS/FOPS Level 1 & 2

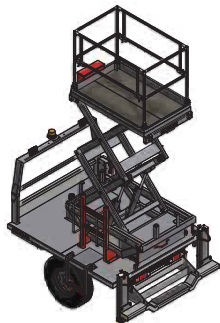


OPTIONS	
Fire suppression	
Aluminum Van, Flat Deck, and Personnel Carriers	
Jib Crane 017T	2910 lbs or 1300 kg @ 4'1" or 124cm with 6'10" or 208 cm outreach
Compressors	Hydraulic Driven, 8 cfm @ 100 psi
Air Conditioning	
Rewire Package	Acidic and rugged locations
Cold Weather Packages	
Booster	12/24 V with welding capabilities
Speed Limiters	
Hydraulic, Grease, and Lube Tanks	100 L or 250 L diesel tank, or 20 L or 100 L oil tank
Mechanic boxes	
Generators	120 V, 1600 watts, 15 amp
Cable Reels	
Scissor Lift	21 ft, Hydraulic Driven, tilt-able to 15 degrees
Ambulance and Mine Rescue Safety Options	
SAHR Driveline Brake	Mico Dry Disc
Wet Disk Brake Configurations	SIBS, Hurth

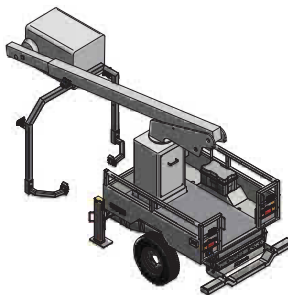
## Rear Frame Configurations



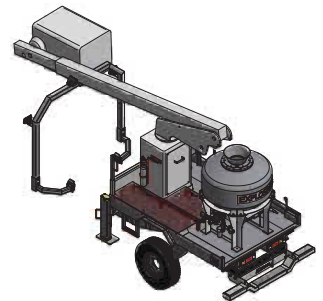
**Side mounted scissor**  
17ft or 5.1m manreach



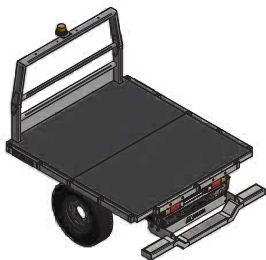
**Forward mounted scissor**  
17ft or 5.1m manreach



**Aerial Boom**  
35ft or 10.5m  
300lb or 136kg weight capacity



**ANFO Loader**  
35ft or 10.5m  
300lb or 136kg weight capacity  
500lb or 227kg Anfo Pot



**Flat Deck**  
7 & 8ft or 2.1m & 2.4m



**Personnel Carrier**  
6-8 person



**Crew cab**  
3-5 person

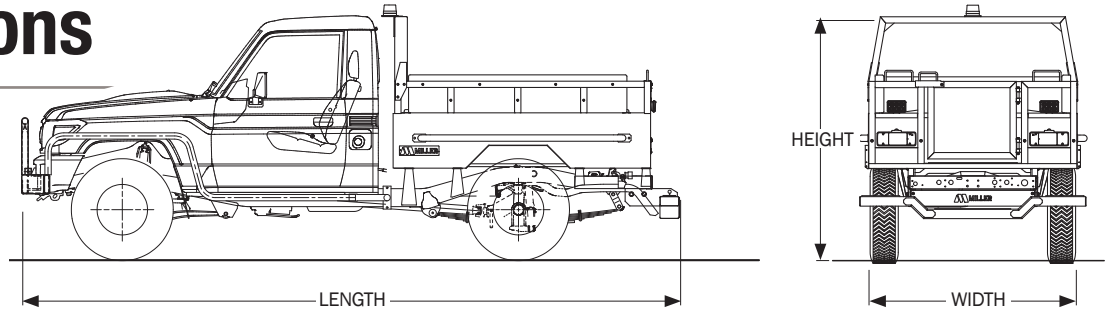


**Forward facing Van**  
6 person



**Side Seating Van,  
Ambulance, or mine Rescue**  
6-8 person

# Specifications



SPECIFICATIONS*												
Configuration	LENGTH — IN (CM)		WIDTH — IN (CM)		HEIGHT — IN (CM)		WEIGHT — LBS (KG)		INSIDE TURN RADIUS		OUTSIDE TURN RADIUS	
	OEM	HURTH	OEM	HURTH	OEM	HURTH	OEM	HURTH	OEM-IN (CM)	HURTH-IN (CM)	OEM-IN (CM)	HURTH-IN (CM)
Personnel Carrier/PC Box	208 (529)	208 (529)	75.5 (192)	75.5 (192)	77 (196)	81 (206)	5900 (2676)	6500 (2948)	220 (559)	214 (545)	338 (859)	334 (849)
Side Seating Van	212 (539)	212 (539)	75.5 (192)	75.5 (192)	83 (211)	87 (221)	6700 (3039)	7300 (3311)	220 (559)	214 (545)	338 (859)	334 (849)
Forward Facing Van	208 (529)	208 (529)	75.5 (192)	75.5 (192)	86 (218)	90 (229)	7100 (3221)	7700 (3493)	220 (559)	214 (545)	338 (859)	334 (849)
Crew Cab	208 (529)	208 (529)	75.5 (192)	75.5 (192)	83 (211)	87 (221)	6400 (2903)	7000 (3175)	220 (559)	214 (545)	338 (859)	334 (849)
Flat Deck	208 (529)	208 (529)	75.5 (192)	75.5 (192)	77 (196)	81 (206)	5900 (2676)	6500 (2948)	220 (559)	214 (545)	338 (859)	334 (849)
Aerial Boom	208 (529)	208 (529)	75.5 (192)	75.5 (192)	102.5 (260)	106.5 (271)	8500 (3856)	9100 (4128)	220 (559)	214 (545)	338 (859)	334 (849)
Scissorlift	211 (536)	211 (536)	75.5 (192)	75.5 (192)	77 (196)	81 (206)	7200 (3266)	7800 (3538)	220 (559)	214 (545)	338 (859)	334 (849)
<b>ROPS/FOPS Level 1</b>												
Personnel Carrier/PC Box	208 (529)	208 (529)	75.5 (192)	75.5 (192)	82 (208)	86 (218)	6700 (3039)	7300 (3311)	220 (559)	214 (545)	338 (859)	334 (849)
Side Seating Van	212 (539)	212 (539)	75.5 (192)	75.5 (192)	86 (218)	90 (229)	7100 (3221)	7700 (3493)	220 (559)	214 (545)	338 (859)	334 (849)
Forward Facing Van	N/A	208 (529)	75.5 (192)	75.5 (192)	N/A	90 (229)	7300 (3311)	7900 (3583)	220 (559)	214 (545)	338 (859)	334 (849)
Crew Cab	208 (529)	208 (529)	75.5 (192)	75.5 (192)	86 (218)	90 (229)	6900 (3130)	7500 (3402)	220 (559)	214 (545)	338 (859)	334 (849)
Flat Deck	208 (529)	208 (529)	75.5 (192)	75.5 (192)	86 (218)	90 (229)	6700 (3039)	7300 (3311)	220 (559)	214 (545)	338 (859)	334 (849)
Aerial Boom	208 (529)	208 (529)	75.5 (192)	75.5 (192)	105.5 (268)	109.5 (278)	9300 (4218)	9900 (4491)	220 (559)	214 (545)	338 (859)	334 (849)
Scissorlift	211 (536)	211 (536)	75.5 (192)	75.5 (192)	86 (218)	90 (229)	8200 (3720)	8800 (3992)	220 (559)	214 (545)	338 (859)	334 (849)
<b>ROPS/FOPS Level 2</b>												
Personnel Carrier/PC Box	208 (529)	208 (529)	75.5 (192)	75.5 (192)	82 (208)	86 (218)	6700 (3039)	7300 (3311)	220 (559)	214 (545)	338 (859)	334 (849)
Side Seating Van	212 (539)	212 (539)	75.5 (192)	75.5 (192)	89 (226)	93 (236)	7100 (3221)	7700 (3493)	220 (559)	214 (545)	338 (859)	334 (849)
Forward Facing Van	N/A	214 (544)	N/A	N/A	N/A	96 (244)	N/A	8500 (3856)	220 (559)	214 (545)	338 (859)	334 (849)
Crew Cab	208 (529)	208 (529)	75.5 (192)	75.5 (192)	92 (234)	96 (244)	6900 (3130)	7500 (3402)	220 (559)	214 (545)	338 (859)	334 (849)
Flat Deck	208 (529)	208 (529)	75.5 (192)	75.5 (192)	82 (208)	86 (218)	6700 (3039)	7300 (3311)	220 (559)	214 (545)	338 (859)	334 (849)
Aerial Boom	208 (529)	208 (529)	75.5 (192)	75.5 (192)	105.5 (268)	109.5 (278)	9300 (4218)	9900 (4491)	220 (559)	214 (545)	338 (859)	334 (849)
Scissorlift	211 (536)	211 (536)	75.5 (192)	75.5 (192)	82 (208)	86 (218)	8200 (3720)	8800 (3992)	220 (559)	214 (545)	338 (859)	334 (849)

\*All weights are calculated as an approximate value and are subject to change depending on customer options chosen.

## ADDITIONAL DESIGNS



Low Seam Potash/Salt Mine Truck

Lube Truck

Mechanic/Electrical Truck

Low Seam Truck

## NEWCASTLE (HEAD OFFICE)

p. 02 4941 3333  
 f. 02 4941 3300  
 a. 46 Glenwood Drive, Thornton NSW 2322  
 PO Box 3203, Thornton NSW 2322  
 e. sales-nsw@au.becker-mining.com

## PERTH

p. +61 8 9473 2333  
 f. +61 8 9277 9598  
 a. 26 Stiles Avenue, Burswood WA 6100  
 PO Box 159, Burswood 6100 WA  
 e. sales-wa@au.becker-mining.com

## WOLLONGONG

p. +61 2 4868 1722  
 f. +61 2 4869 1785  
 a. Suite 1, Ground Floor, Enterprise 1  
 University of Wollongong  
 Innovation Campus, Squires Way  
 North Wollongong 2500  
 e. sales-nsw@au.becker-mining.com

## MACKAY

p. 1300BECKER  
 a. 4/38 - 42 Margaret Vella Dr,  
 Paget QLD 4740  
 e. sales-ql@au.becker-mining.com

## GENERAL SUPPORT & SALES

p. 1300BECKER  
 w. www.au.becker-mining.com

**becker**  
 MINING AUSTRALIA